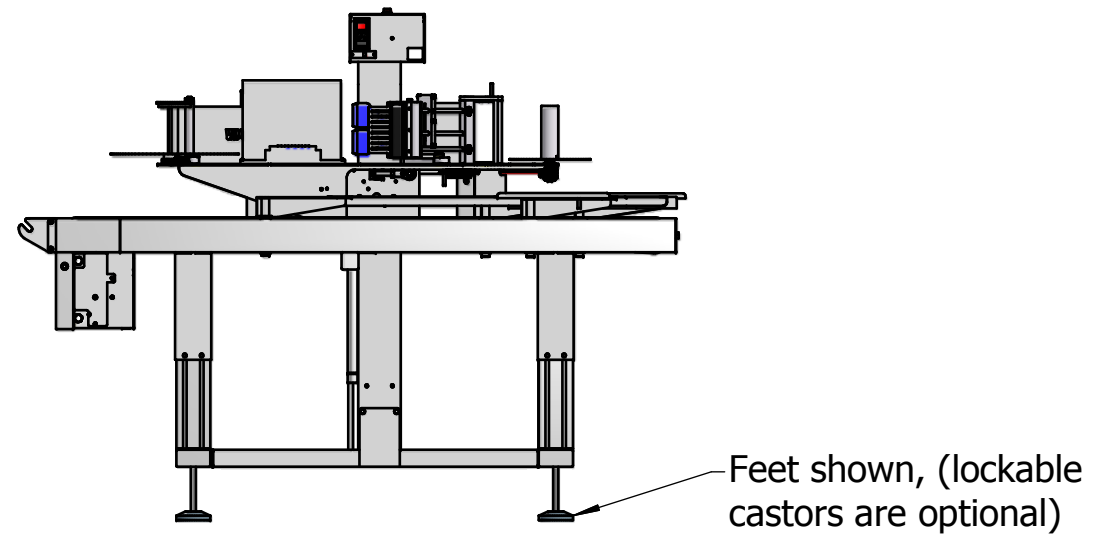
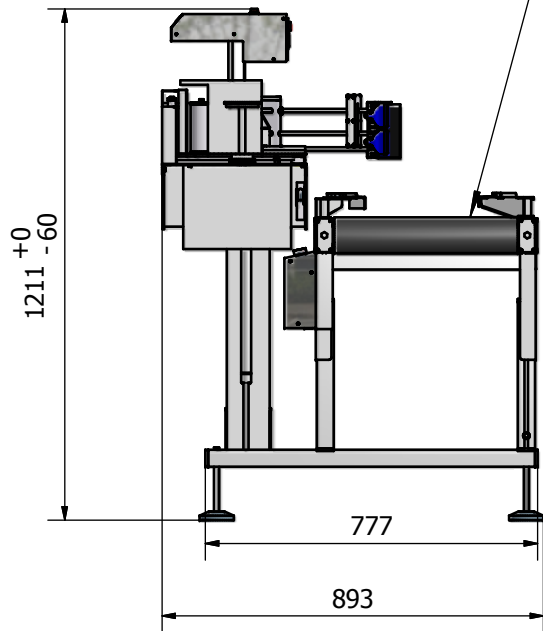
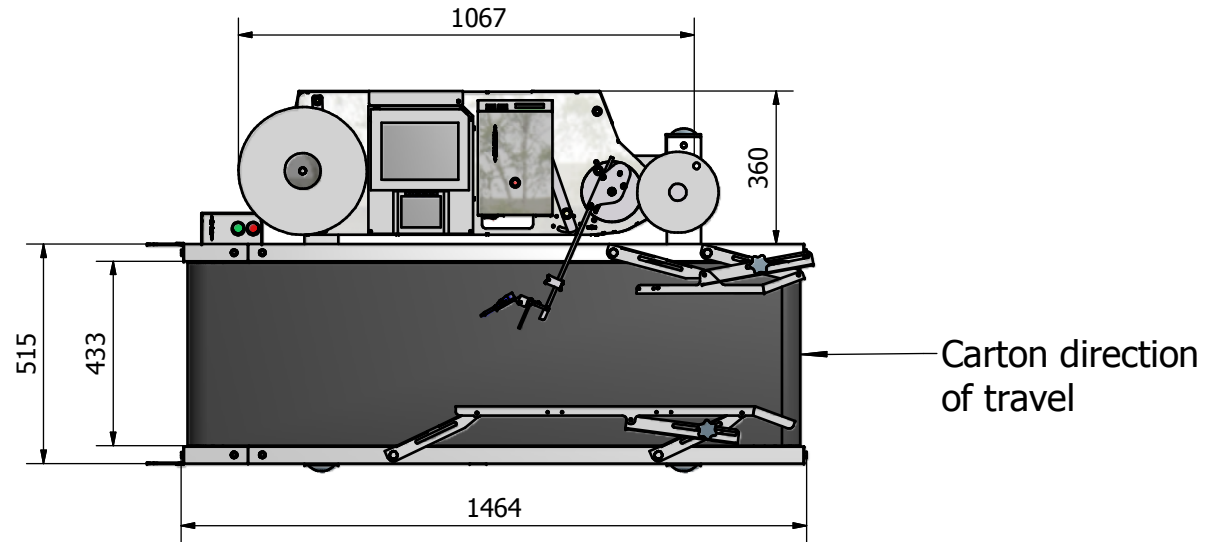


Conveyor bed datum set by two methods
 1. Fixed then +/- 50mm by feet adjustment
 2. Adjustable legs. Define max/min heights
 Specify method at time of order.
 Typical datum values 450-900mm



Material	Revision 2 010208	
Manufacturing Notes		
Codeology Ltd Tel 01722 322244	Tolerances	
	conveyor with stand and p100	Sheet 1 / 1